

THE OPTIONS ARE ENDLESS

Below are some frame options to show the system's versatility. All profiles are interchangeable, for example a 90x45 can be used with a 45x45. You can even use a profile on an existing timber sub-frame as a joist.

Please see inside for the full range of profiles.

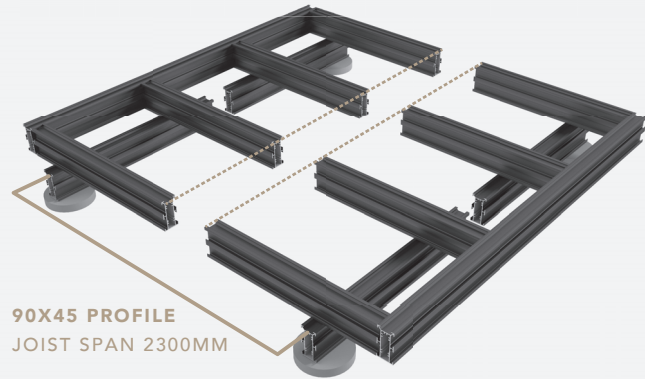
LOWEST JOIST BEARER STRUCTURE:

- 13X45MM PROFILE AS JOIST
- 13X45MM PROFILE AS BEARER
- 3MM PACKER
- = 29MM HIGH FRAMEWORK

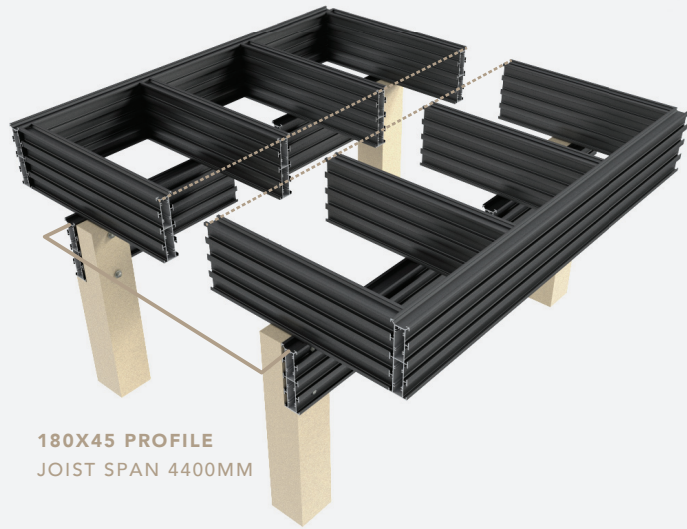
- + ADD ANY OUTDURE SURFACES:
- = 52MM FINISHED DECK HEIGHT



13X45 PROFILE
JOIST SPAN 400-600MM



90X45 PROFILE
JOIST SPAN 2300MM



180X45 PROFILE
JOIST SPAN 4400MM

RAISED STRUCTURE 3M+ DECKS

- 180X45MM PROFILE AS JOIST
- 180X45MM PROFILE AS BEARER
- POSTS/PIERS TO SUIT

GETTING STARTED

The Outdure team can help with all aspects of your project. A simple starting point is to share a plan, sketch, photos of the area. From there we can offer options specific to your requirements and budget.

OUTDURE SERVICES

Include material supply and quantification including surface ranges and all accessories required, deck layout design, customised construction drawings.

ONLINE RESOURCES

- Commercial and residential case studies
- Youtube videos including installation tips
- Installation guides for all Outdure products
- Technical information, such as:
QwickBuild Design Manual + span tables
- Product catalogues for all Outdure ranges
- Customised construction drawings
- Standard construction details, such as:
Stairs, railing connections, seating planters, ramps, pools and more

OUTDURE SURFACE RANGES

- Compatible with QwickBuild:
RESORTDECK
CASADECK
MINERAL TILES
STONE INSPIRE TILES
ULTRAPLUSH TURF



OUTDURE STONE INSPIRE TILES +
ULTRAPLUSH TURF + RESORTDECK

FOR MORE INFORMATION

AUSTRALIA: 1800 722 465

NEW ZEALAND: 0800 77 88 77

WWW.OUTDURE.COM

@OUTDURELIVING

@OUTDURE

@OUTDURE

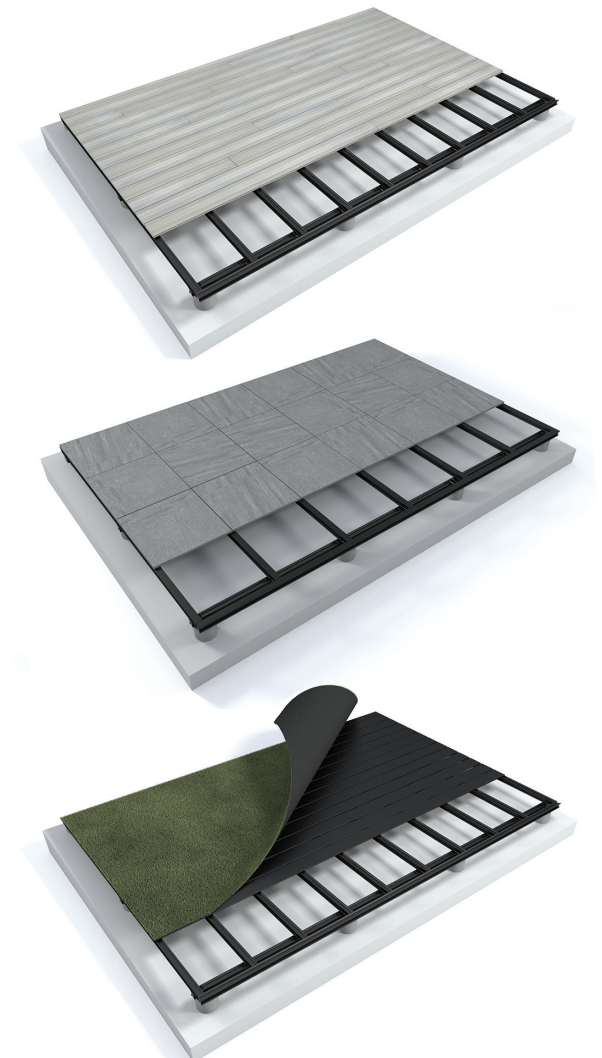


ROOFTOP DECK FEATURES RESORTDECK, TILES
& SYNTHETIC TURF INSTALLED ON QWICKBUILD

QWICKBUILD®

EXTERIOR FLOORING SYSTEM
DECK TILE TURF

Outdure's aluminium sub-structure system supports:
Hardwood or composite decking, tiles, turf or a combination
Moisture-proof, straight, level, light-weight, fast and easy to install
Solutions for all finished deck heights from 52mm – 3m+



OUTDURE®

CREATING SMART EXTERIOR SPACES

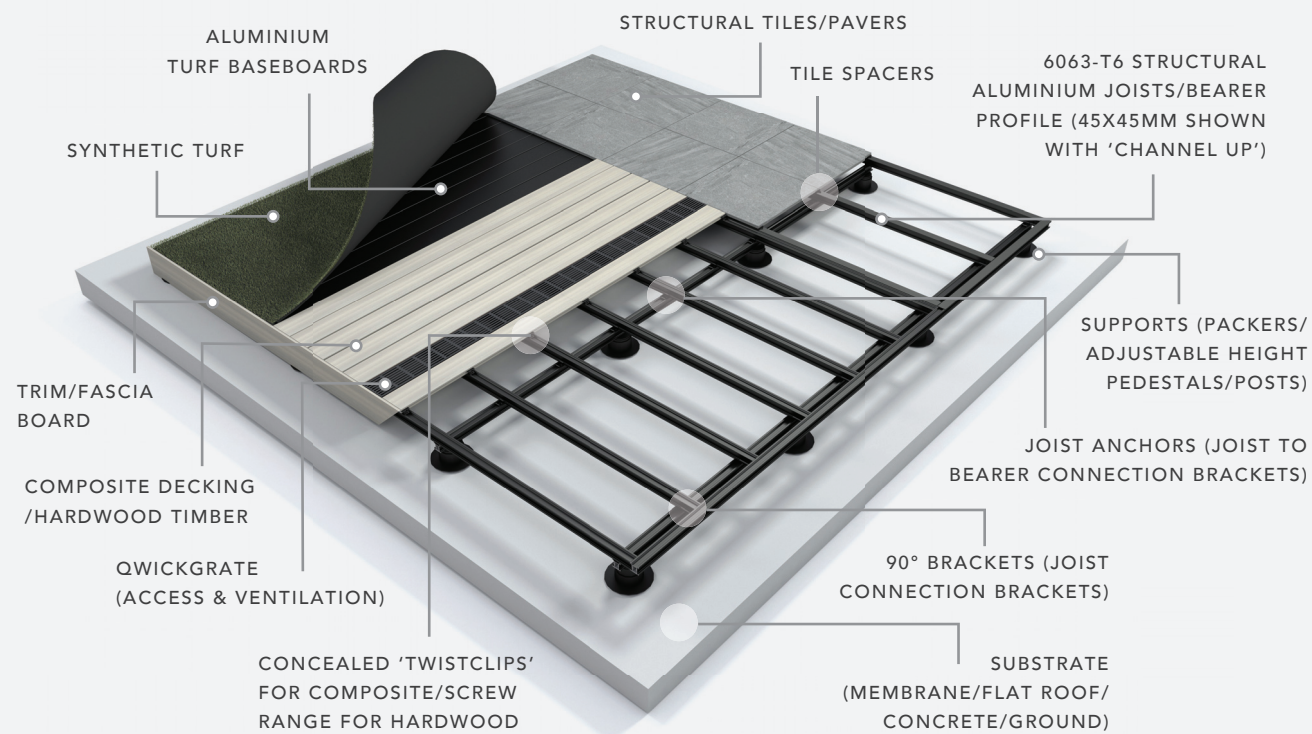
www.outdure.com/qwickbuild

QWICKBUILD®

Outdure's QwickBuild is the only deck framing system that provides a low height, level, stable solution for supporting composite or hardwood timber decking, exterior structural tiles, synthetic turf or a combination. The value-engineered joist/bearer profiles are cost-effective and designed to suit all deck heights. The versatile system can be used as a structural sub-frame over multiple substrates: waterproof membranes, concrete pads, existing pavers or ground.

Ideal for all outdoor spaces: small, large, simple, complex, new builds, renovations, residential or commercial projects. From alfresco courtyards to rooftop spaces, aged care, education, resorts, balconies, pool decks and more.

SYSTEM OVERVIEW SHOWING A FRAME CONSTRUCTED WITH THE 45X45 PROFILE

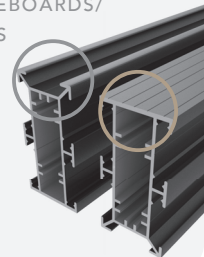


QwickBuild profiles can be used as joists or bearers (joists support the surfaces, and bearers support the joists). The bearers are supported by posts or pedestals. The profiles are determined by the 'finished deck level' (the measurement from the top of the substrate to the top of the decking/tiles/turf). Generally, the larger the profile the, longer the span and therefore less supports are required, especially beneficial for decks over natural ground to minimise digging holes for posts. For low height decks, such as balconies where space is often limited, a smaller profile is required. QwickBuild also makes it easy to achieve a safe, flush finish between the finished deck level and the internal floor, so no step-down is necessary.

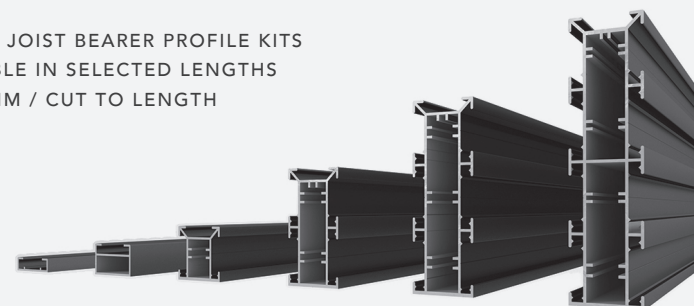
ONE SYSTEM FOR ALL SURFACES
SIMPLY FLIP THE PROFILE 180°

'CHANNEL UP' FOR COMPOSITE
DECKING/TURF BASEBOARDS/
TILES/QWICKGRATES
USING QWICKBUILD
FIXINGS

'FLAT UP' FOR
HARDWOOD
DECKING WITH
SCREW FIXING



QWICKBUILD JOIST BEARER PROFILE KITS
ARE AVAILABLE IN SELECTED LENGTHS
UP TO 5800MM / CUT TO LENGTH



PROFILE:	13X45	28X45	45X45	90X45	135X45	180X45
JOIST SPAN:	400/600	600	1200	2300	3400	4400

OUTDURE MAKE IT EASY, WE REVIEW YOUR PROJECT REQUIREMENTS
AND PROVIDE FRAME RECOMMENDATIONS + PRICING OPTIONS

FAST, EASY INSTALLATION

DIY friendly or utilise our network of installers
Supplied as kits or prefab frames (some regions)
Easy to handle onsite, basic tools required
Surfaces also fast to lay with hidden fasteners.

COMPLIANT LOW-RISK SOLUTION

The system is designed to 'float' on a waterproof
membrane without penetrating it and as a sub-frame
for decks over concrete pads and natural ground +
Perfect for covering up unsightly existing pavers.

GLOBAL GREEN TAG

QwickBuild framing is eco-certified
+ Minimal material wastage onsite

INDOOR-OUTDOOR FLOW

Achieve a seamless, flush finish between
surfaces and interior-exterior floor levels.

ADD VALUE TO YOUR SPACE

Beautiful straight lines and a quality finish that
lasts year after year + Save on installation costs
and longterm maintenance.

MULTI-SURFACE INTEGRATION

For a completely integrated system and one
warranty select from Outdure's decking, tiles, turf
ranges, fastened with hidden clips. Independent
surfaces, including hardwood can also be installed
on QwickBuild if preferred.

DURABLE AND LIGHT-WEIGHT

Manufactured from moisture-proof materials: 6063-T6 structural
aluminium framework and 304 stainless steel / PP components
/ fastenings + Height adjustable pedestals for low heights.

STABLE AND LEVEL

An engineered solution: up to 5.0kPa UDL, 4.5kN PL with
long-span, high-load capacity resulting in a substantial reduction
in the number of pedestals or posts required.

ACCESS SOLUTION

Add QwickGrates, especially for decks under 100mm in height,
as a convenient, stylish solution for ventilation and access to
drains and services under the deck structure.

VERSATILE

The comprehensive system is configurable to accommodate
various heights and engineering requirements + it allows for
curves, cantilevers, stairs, seating, screening, planter boxes.

DESIGN SERVICE AND INSTALLATION SUPPORT

We quantify the most efficient combination of materials
specific to your project. We also offer a full design service from
board layouts through to construction drawings and engineering
if required. Onsite assistance is also available.

FOR MORE INFORMATION CALL:

AUSTRALIA 1800 722 465
NEW ZEALAND 0800 77 88 77

www.outdure.com/qwickbuild

